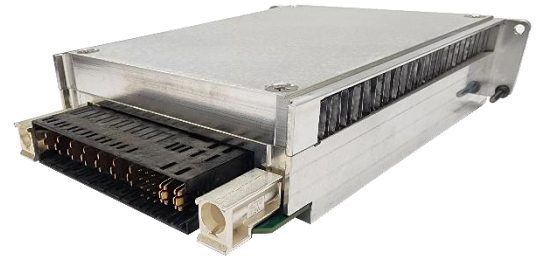


### FEATURES

- Three-Phase AC Input or 270VDC Input
- High Power DC Output – 28V/35A
- Efficiency of 90% Typical
- Parallelable for Higher Output Power
- Output Hold-Up Options
  - 700W / 50 msec w/ VPXtra® HU700HV
  - 900W / 80 msec w/ VPXtra® HU700HV2
- Air Cooled I.A.W. VITA48.8-2022
- Conformal Coating on PWA
- Meets MIL-STD-704F Transient Performance

VPXtra AIR FLOW-THRU



### 3U VPX High Power AC-DC Power Supply (VITA 62.1)

The Behlman VPXtra®800TB COTS AC to DC power supply is a rugged, highly reliable, switch mode unit built for high-end industrial and military applications. The VPXtra®800TB is intended to convert either 115/200 VAC, 3-phase or 270VDC input IAW MIL-STD-704F to produce an isolated intermediate voltage for use by VPX back-end power supplies to produce final output voltage. The VPXtra®800TB has a VPX 3U form factor and delivers up to 980 Watts of 28VDC power at up to 55°C rail temperatures, with additional power available at lower rail temperatures.

The VPXtra®800TB power supply has no minimum load requirement and has overvoltage, overcurrent and short circuit protection as well as thermal protection. The power supply is designed to support the rigors of mission critical airborne, shipboard, vehicle and mobile applications.

Designed and manufactured with *Xtra-Cooling*, *Xtra-Reliable Design* and *Xtra-Rugged* construction makes the Behlman VPXtra®800TB your best choice.

#### INPUT AC

**Voltage:** 100-125VAC, L-N, 3-phase  
**Frequency:** 360-800 Hz

**INPUT DC** 240-290VDC

#### OUTPUT

**Power:** 980 Watts  
**Voltage/Current:** 28 VDC +/- 1% @ 35 Amps  
**Auxiliary:** 3.3 VDC +/- 5% @ 0.4 Amps  
**Line Regulation:** 1.0% maximum  
**Load Regulation:** 5.0% maximum (Load > 10%)  
**PARD-Ripple & Noise:** 3.3V: 50mV p-p (0-20 MHz)  
28V: 1V p-p (0-20 MHz)  
**Efficiency:** 90% typical, 50-100% load  
**Power Factor:** 0.93 @ 980W

#### PROTECTIVE CIRCUITS

**Overvoltage:** Latched Shutdown  
**Overcurrent:** Hiccup Mode  
**Short Circuit:** Automatic recovery  
**Overtemperature:** Shutdown w/Auto Recovery

#### CONTROL SIGNALS

**INHIBIT\*:** Output Off- active low  
**ENABLE\*:** Input On- active low  
**FAIL\*:** Output- out of specification

#### INDICATOR

**DC STATUS LED:** Bi-color LED (Red/Green)

### GENERAL CHARACTERISTICS

#### Isolation:

Input to Output: 1000 VDC  
 Input to Case: 1000 VDC  
 Output to Case: 500 VDC  
 +28V to 3.3V\_AUX: 500 VDC

MTBF: 111, 943 hrs  $G_F$  @ 55°C,  
 IAW MIL-HDBK-217F Notice 2

### MECHANICAL (1.5 inch pitch)

See O&C drawing OC94095-20 for connector details  
 and pin assignment

**Dimensions:** 4.98"W x 6.68"L x 1.47"H

**Weight:** 2.70 lbs. maximum

**Mating Connector:** TE Connectivity 2332795-1 or  
 similar IAW VITA 62.1

### ENVIRONMENTAL COMPLIANCE

(IAW VITA 47.1 Class EFC2SL1)

#### Temperature

**Operating:** -40°C to +55°C  
 (inlet air temperature, assuming a mass flow rate  
 of 1.2lb/min at worst case; consult data sheet for  
 additional airflow details)

**Storage:** -55°C to +105°C

**Altitude:** -1,500 to +70,000 ft.

**Shock:** VITA 47.1 Class OS2

**Vibration:** VITA 47.1 Class V3

**EMI: \*** MIL-STD-461G:

CE102, CS101, CS115, CS116

\* Requires external filter, Behlman P/N 13530 or similar.

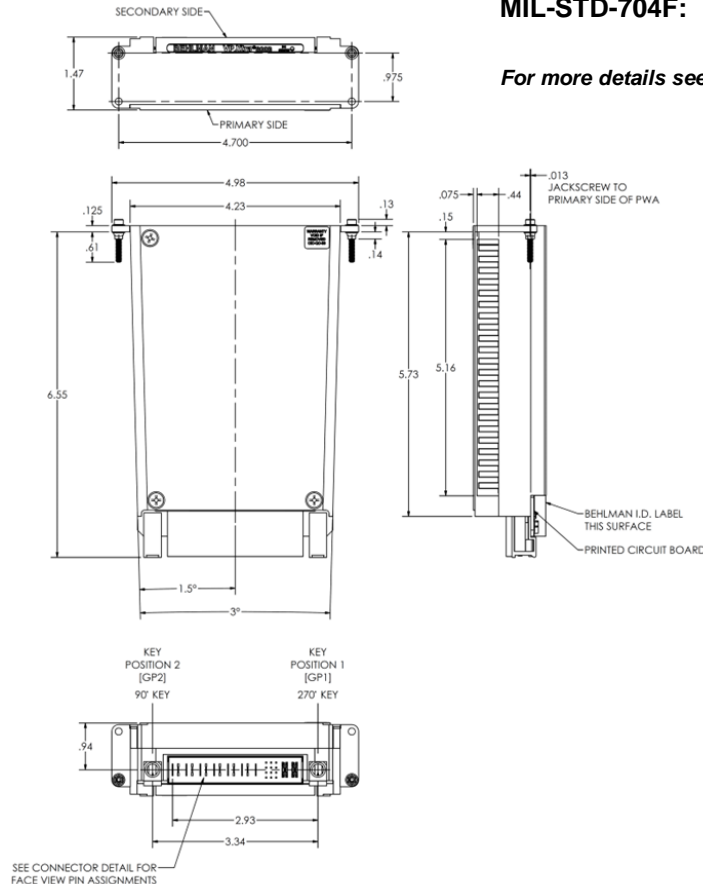
### Designed to meet the following:

**Humidity:** VITA 47.1, up to 95% RH

**Salt Fog:** VITA 47.1, Class SL1

**MIL-STD-704F:** Including operation through  
 normal transients

For more details see VPXtra® 800TB Data Sheet.



VPXtra® is a registered trademark of Behlman Electronics.  
 The VPX logo and related marks are trademarks of VITA.



VITA Member

[www.behlman.com](http://www.behlman.com)

**ORBIT POWER GROUP**  
**Behlman Electronics**

Headquarters:  
 80 Cabot Court, Hauppauge, NY 11788  
 631 435-0410 800 874-6727  
 Fax: 631 951-4341

[sales@behlman.com](mailto:sales@behlman.com)

