

VPXtra® 700M

FEATURES

- Wide Input Range
- High Power DC Outputs
- High Efficiency
- Conduction Cooled at Card Edge
- Conformal Coating on PWA
- Active Load Sharing on Main Outputs
- Redundancy on All Outputs



3U VPX High Power Multi-Output Power Supply [VITA 62.0]

The Behlman VPXtra®700M COTS DC to DC power supply is a rugged, highly reliable, conduction cooled, switchmode unit built for high-end industrial and military applications. The VPXtra®700M is a 3U VPX power supply that accepts 28 VDC input IAW MIL-STD-704F and delivers up to 698 Watts of DC power via six outputs. All outputs may be paralleled for redundancy, with the +12V, +3.3V and +5V main outputs offering active load sharing for higher power.

The VPXtra®700M power supply has no minimum load requirement and has overvoltage and short circuit protection as well as over current and thermal protection. The power supply is designed to support the rigors of mission critical airborne, shipboard, vehicle and mobile applications.

Designed and manufactured with *Xtra-Cooling*, *Xtra-Reliable* Design and *Xtra-Rugged* construction, the Behlman VPXtra®700M is the best choice for your power supply needs.

INPUT

Voltage: 18 to 36 VDC †

OUTPUT

Power: 698 Watts maximum †

Voltage/Current:

PO1	+12 VDC @ 30 Amps
PO2	+3.3 VDC @ 25 Amps
PO3	+5 VDC @ 40 Amps
Auxiliary:	+3.3 VDC @ 6 Amps
Auxiliary:	-12 VDC @ 1.5 Amps
Auxiliary:	+12 VDC @ 1.5 Amps

Line Regulation: 0.25% typical (main outputs)
2% typical (AUX outputs)

Load Regulation: 0.5% max (+12V, +5V outputs)
0.75% max (+3.3V output)
3.5% max (3.3V_AUX output)
2.0% max (\pm 12V_AUX outputs)

PARD-Ripple & Noise: 33 mV p-p for all 3.3V outputs
50 mV p-p for 5V output
120 mV p-p for all \pm 12V outputs
20 MHz Bandwidth

Sharing: Active Sharing for PO1,PO2,PO3
N+1 Redundancy on all outputs

Efficiency: 88% typical,
50% of Load Power

PROTECTIVE CIRCUITS

Overvoltage:	120% typical
Overcurrent:	120% typical
Short Circuit:	Automatic Recovery
Overtemperature:	Shutdown w/Auto Recovery

CONTROLS (IAW VITA 62.0)

INHIBIT*:	Output Off - active low
ENABLE*:	Input On - active low

INDICATOR

DC STATUS LED: Bi-Color LED (Red/Green)

† Thermal and connector pin current limitations restrict available output power and input voltage range; consult product data sheet for details.

GENERAL CHARACTERISTICS

Isolation:

Input to Output: 500 VDC

Input to Case: 500 VDC

Output to Case: 500 VDC

MTBF: 175,789 hrs G_F @ 55°C,
IAW MIL-HDBK-217F Notice 2

MECHANICAL (1.0 inch pitch)

See O&C drawing OC94104 for connector details and pin assignment

Dimensions: 3.94"W x 6.63"L x .97"H

Weight: 1.75 lbs. maximum

Mating Connector: TE Connectivity 2309390-1 or similar IAW VITA 62.0

ENVIRONMENTAL COMPLIANCE

(IAW VITA 47.1 Class ECC4SL1)

Temperature

Operating: -40°C to +85°C

Storage: -55°C to +105°C

Altitude: -1,500 to +70,000 ft.

Shock: VITA 47.1 Class OS2

Vibration: VITA 47.1 Class V3

EMI: MIL-STD-461G:

CE102, CS101, CS115, CS116

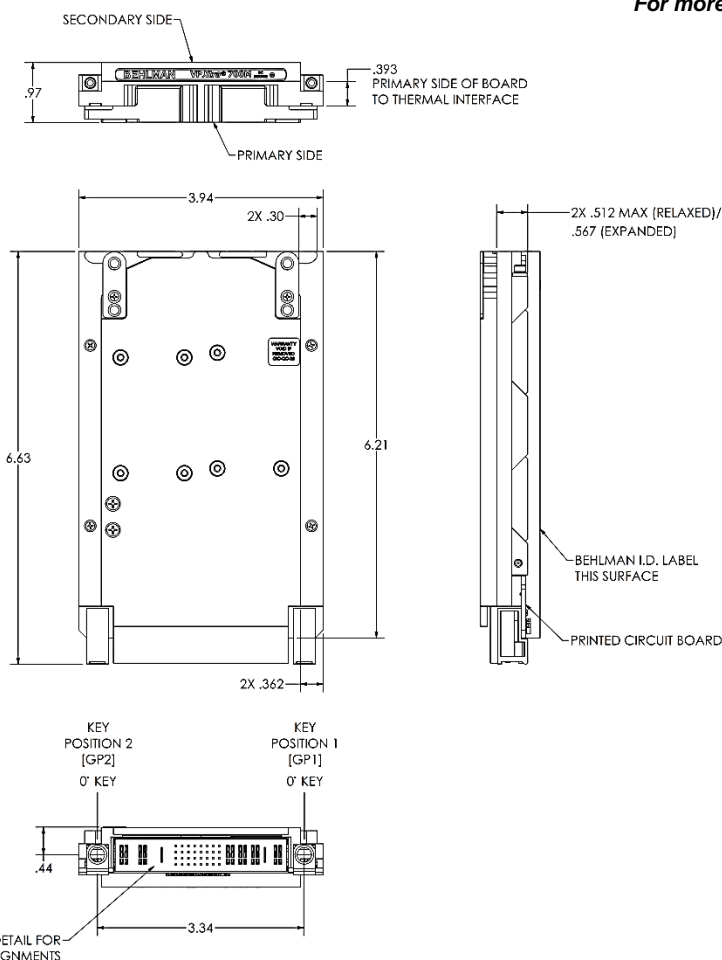
Designed to meet the following:

Humidity: VITA 47.1, up to 95% RH

Salt Fog: VITA 47.1, Class SL1

MIL-STD-704F: Including operation through normal transients

For more details see VPXtra®700M Data Sheet



VPXtra® is a registered trademark of Behlman Electronics.
The VPX logo and related marks are trademarks of VITA.



VITA Member

www.behlman.com

ORBIT POWER GROUP
Behlman Electronics

Headquarters:
80 Cabot Court, Hauppauge, NY 11788
631 435-0410 800 874-6727
Fax: 631 951-4341

sales@behlman.com

